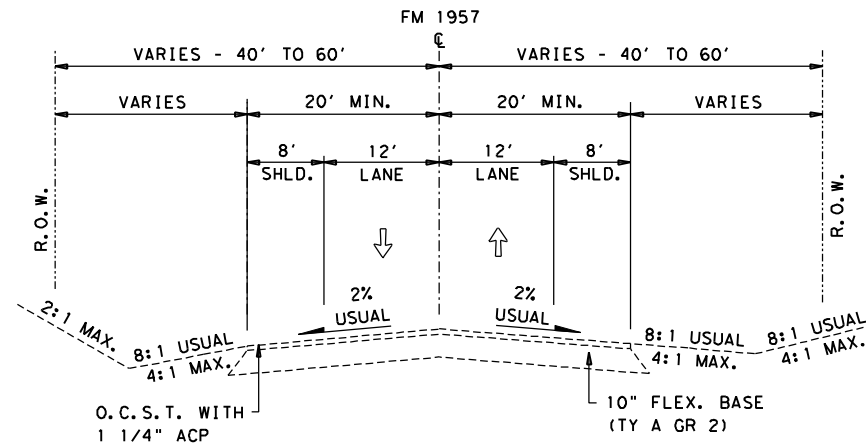


Plotted on: 12/21/2011

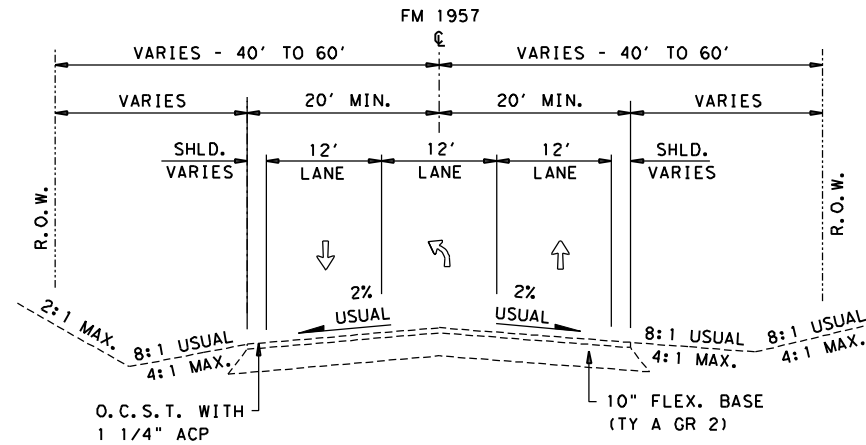
Design File name: P:\66\26\09\design\assoc\ates\T\DOT\OUT\11220\662609TypSect.dgn



EXISTING FM 1957
TYPICAL SECTION

N. T. S.

EXISTING INFORMATION WAS BASED ON AS BUILT PLANS FROM STATE
PROJECT NUMBER CSR 2104-02-021, CSJ: 2104-2-21 DATED 12-14-88



EXISTING FM 1957
TYPICAL SECTION
WITH LEFT TURN LANE

N. T. S.

EXISTING INFORMATION WAS BASED ON AS BUILT PLANS FROM STATE
PROJECT NUMBER CSR 2104-02-021, CSJ: 2104-2-21 DATED 12-14-88

INTERIM REVIEW ONLY
Document incomplete. Not intended for
permit, bidding or construction.
Engineer: STEVEN C. DEAN
P.E. Serial No: 83905
Date: 12/21/2011

INTERIM REVIEW ONLY
Document incomplete. Not intended for
permit, bidding or construction.
Engineer: SCOTT D. ARMSTRONG
P.E. Serial No: 89320
Date: 12/21/2011

REV. NO.	DATE	DESCRIPTION	BY

PAPE-DAWSON ENGINEERS
555 EAST RAMSEY | SAN ANTONIO, TEXAS 78216 | PHONE: 210.375.9000
FAX: 210.375.9010
TEXAS BOARD OF PROFESSIONAL ENGINEERS, FIRM REGISTRATION # 470

Texas Department of Transportation
© 2011

FM 1957 / POTRANCO RD
TYPICAL SECTIONS

FM 1957

SHEET 1 OF 2

DGN:	FED. NO.:	STATE:	FEDERAL AID PROJECT NO.:	HIGHWAY NO.:
CHK:	DIV. NO.:	TEXAS:	XXX XXXX	FM 1957
DWG:	DIST.:	COUNTY:	CONT. NO. SECT. NO.:	JOB NO. SHEET NO.:
CHK:	SAT:	BEXAR:	XXXX XX	XXX XXX